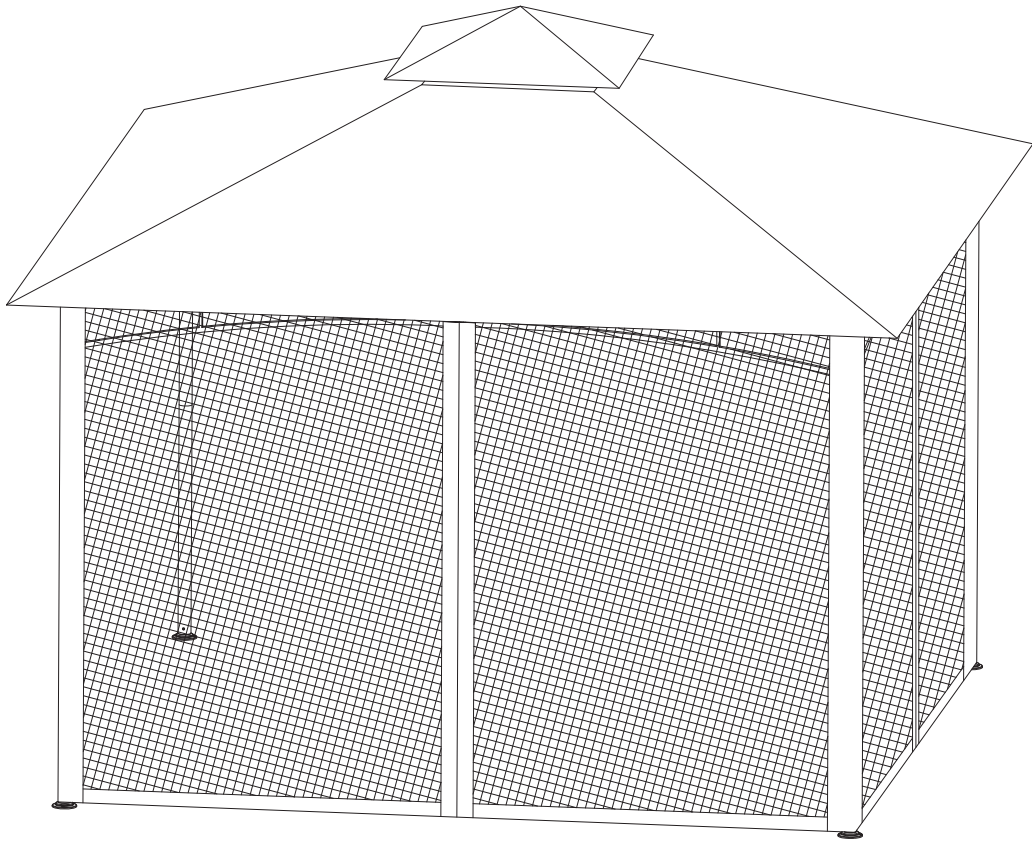
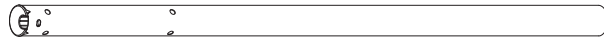


# Product Instructions

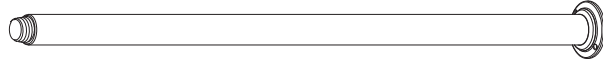


# PARTS

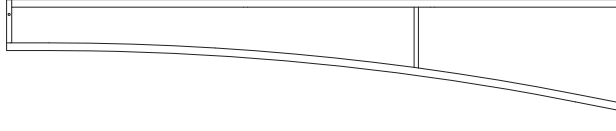
A 4pcs



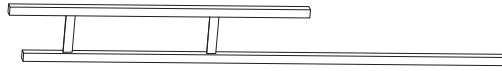
B 4pcs



C 8pcs



D 4pcs



E 4pcs



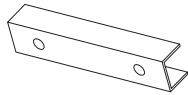
F 4pcs



G 4pcs



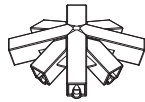
J 4pcs



K 8pcs



L 1pc



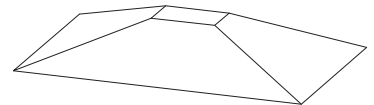
M 1pc



N 8pcs



P 1pc



Q 1pc



R 2pcs



①



24pcs+1pc

②



4pcs+1pc

③

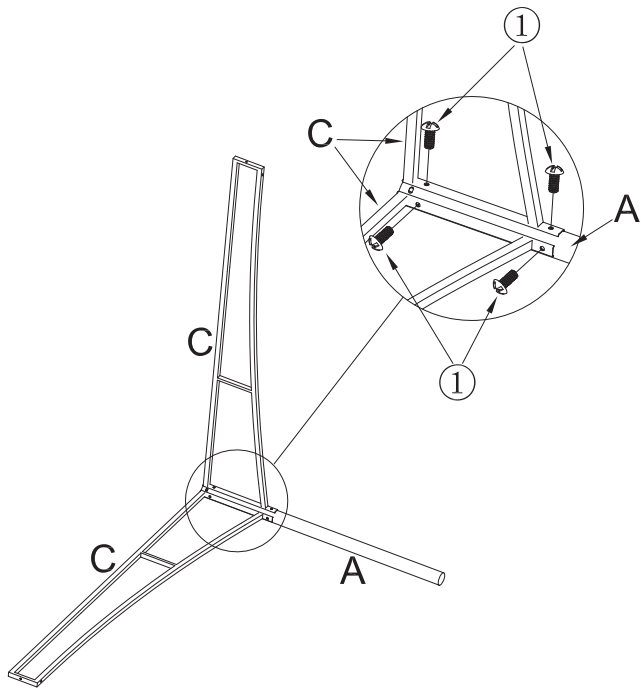


4pcs+1pc

④

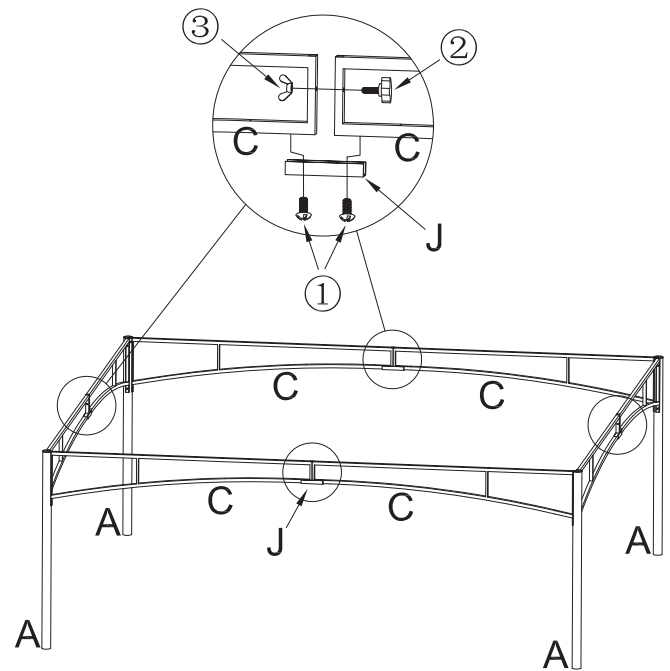


32pcs+1pc



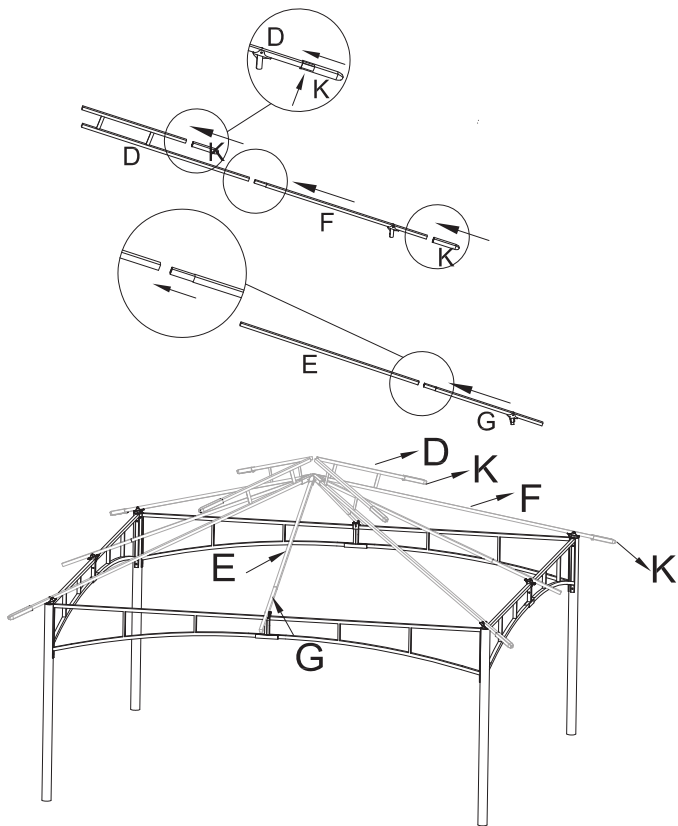
Step 1: Put two Part C together and put one Part A in the middle of them, then use Screw ① to tighten Part C and Part A.

①



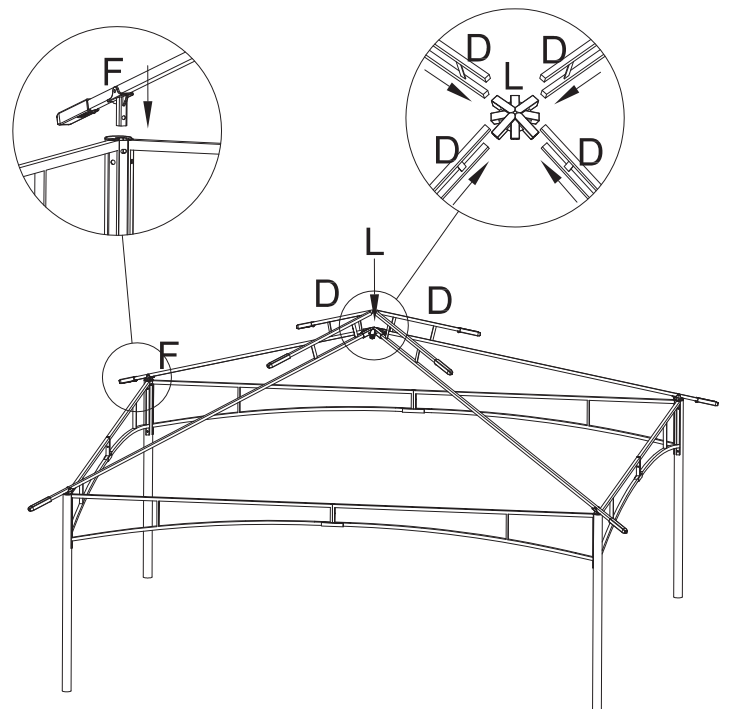
Step 2: Use Nut ③ and Screw ② to connect two Part C and tighten them. Then put one Part J on the bottom side of the two attached Part C. Use Screw ① to tighten the Part J. Repeat the steps above to assemble the other six Part C.

②



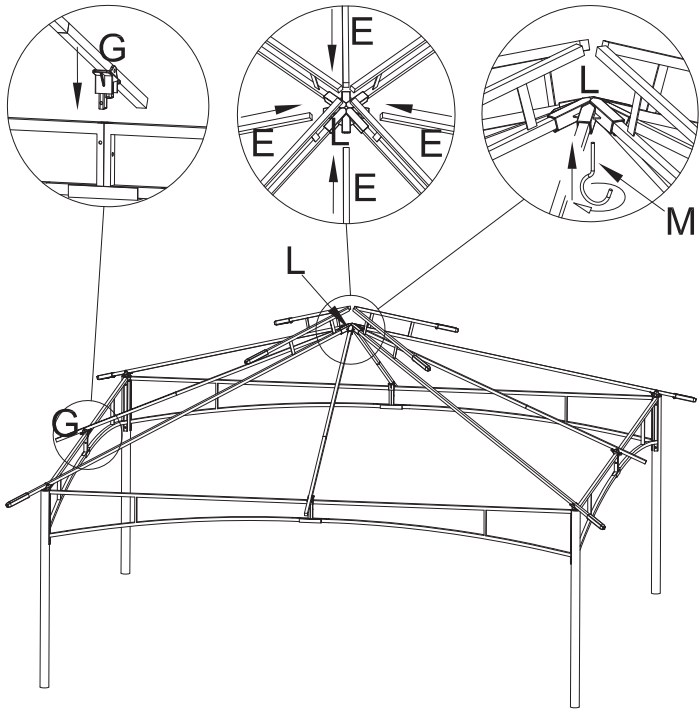
Step 3: Insert the small head of Part F to the long side of Part D directly and insert one Part K to the other head of Part F. Then insert one Part K to the short side of Part D. Insert the small head of Part G to Part E. Repeat the steps above to assemble the other Part D, F, K, E and G.

③

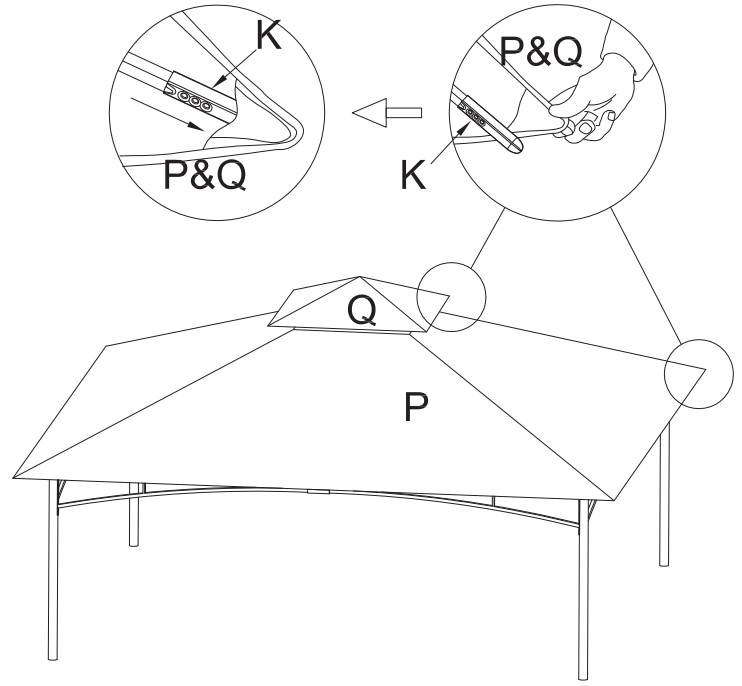


Step 4: Insert four Part F to the four corners of the frame (the top of Part A). Then insert the other side (the bottom side of Part D) to Part L.

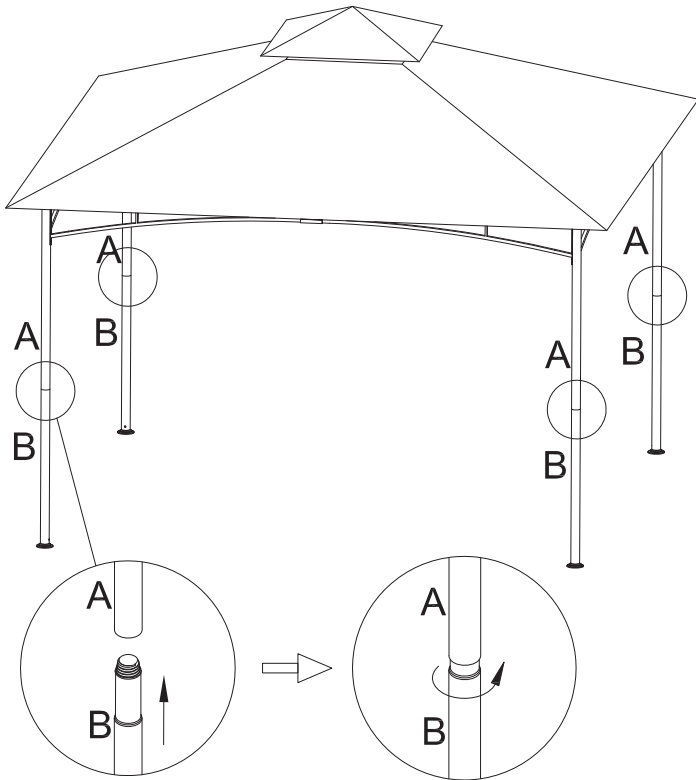
④



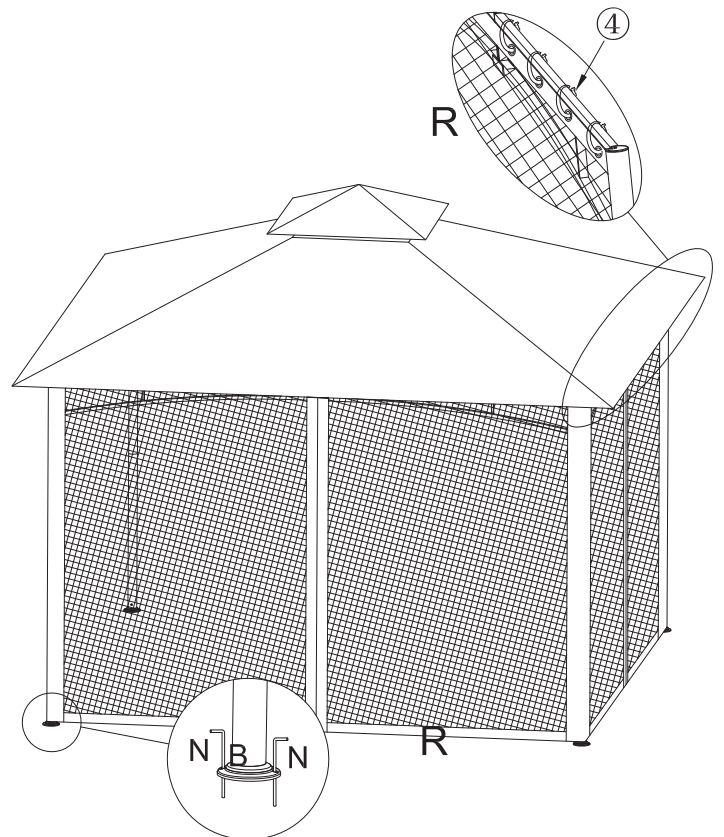
Step 5: Insert Part G to the middle part of the two attached part C. The other three Part G should be done as this. Then insert the other head of Part E to Part L. Finally, insert Part M (the steel hook) to the hole of Part L and turn it to tighten it. ⑤



Step 6: Put the canopy fabric (Part P&Q) on the frame, extend it fully. Put the heads of tubes (Part K) into the corner pocket of canopy fabric. ⑥



Step 7: Insert Part B to Part A, then turn it to make it tight. ⑦



Step 8: Insert the stakes (Part N) on the foot pad to the ground deeply, use Part ④ (the plastic hook) to hang Part R on the frame, then you can use the gazebo. ⑧